

# WS868

## 868 MHz Stubby Antenna

### Features

- ◆ Groundplane Dependent
- ◆ Covers 868 and 915 MHz bands
- ◆ SMA-Male Straight Connector
- ◆ Ideal for fixed and mobile terminals

### Specifications

|                   |                           |
|-------------------|---------------------------|
| Radiating element | 1/4 Wave Element          |
| Frequency range   | 868 MHz, 915 MHz          |
| Peak gain         | 1.0 dBi                   |
| Polarisation      | Linear                    |
| Return loss       | -10 dB                    |
| Power rating      | 10W                       |
| Connector         | SMA-Male Straight         |
| Dimensions        | 54 x 8mm (plus connector) |

### Popular Ordering Options

|                 |                                  |
|-----------------|----------------------------------|
| FWS835022-SM-ST | WS868 with SMA-Male ST connector |
|-----------------|----------------------------------|

Specifications subject to change without notice.

5 Little Balmer  
Buckingham Industrial Park  
Buckingham  
MK18 1TF  
UK

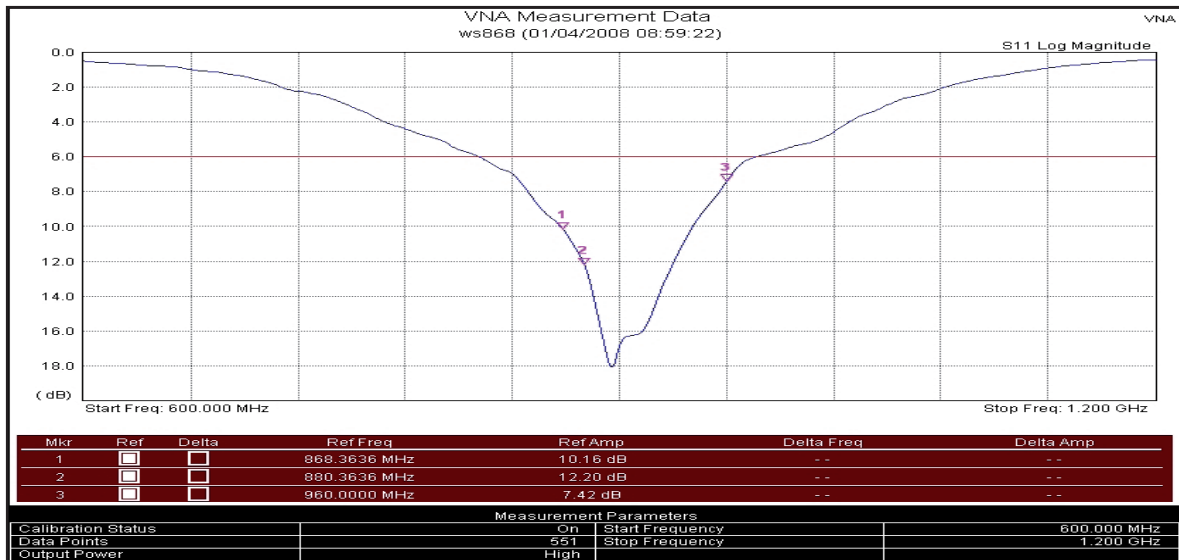
Tel: +44 (0)1280 825044  
Fax: +44 (0)1280 817179  
Email: [sales@ead-ltd.com](mailto:sales@ead-ltd.com)  
Web: [www.ead-ltd.com](http://www.ead-ltd.com)

**EAD**   
embedded antenna design ltd  
*Delivering Antenna Innovation*

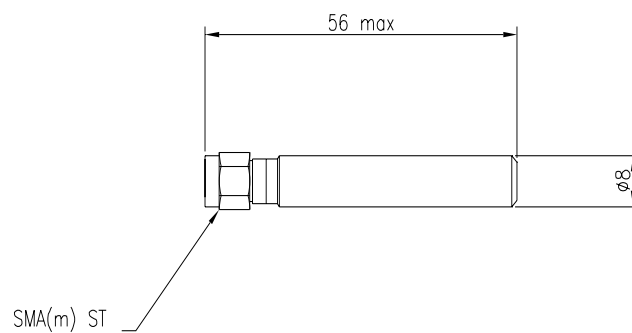


## WS868 | 868 MHz Stubby Antenna

### Return Loss



### Outline Drawing



Specifications subject to change without notice.

5 Little Balmer  
Buckingham Industrial Park  
Buckingham  
MK18 1TF  
UK

Tel: +44 (0)1280 824055  
Fax: +44 (0)1280 817179  
Email: sales@ead-ltd.com  
Web: www.ead-ltd.com