

# CANatomBOX™ - Series

Fanless, Flexible Windows-based CANbus Controller

## Technical Description

**CANatomBOX™** – based on Janz AG's **emPC-MN270™ Series** – is a versatile, compact embedded control system particularly suited to embedded CANbus control applications.

Using high-reliability components, a wide variety of hardware and software options are available in the tiny Intel x86 based **CANatomBOX™**.

512 MB DDR2 SO-DIMM is sufficient to control Windows XP™ or Windows XPembedded™ operating systems, while 2 GB industrial grade CompactFlash card storage can easily be upgraded. Power consumption is low, so reliable cooling is completely passive.

Wall-mounted, **CANatomBOX™** can be placed almost anywhere, even in the tightest locations.

With standard interfaces of two 10/100BaseT Ethernet, two USB2.0, one RS232, VGA and two CANbus, this versatile controller system has remarkably small dimensions. Alternatively, **CANatomBOX™** is available with two additional PCI slots, for further standardized expansion boards.

The widely-used operating system Windows XP or XPembedded comes standard, while other choices are possible and can be selected to perfectly match customer needs.

Every **CANatomBOX™** system is 100% tested and is customizable even in small quantities, with a guaranteed lifetime availability of 5 years – essential for medical and military equipment design.

A wide range of operating systems is offered, with design-team hardware and software support. If required, customer-specific software can be preloaded.

For more details, please contact Saelig or Janz offices.



## Features / Technical Specifications

### Processor

**CANatomBOX™** offers following performance

- Intel Atom with 1.6 GHz
- 512 kB cache
- 533 MHz FSB
- 512 MB SO-DIMM DDR2 with 667 MHz (up to 2 GB possible)
- Intel 945GME chipset

### System

- compact industrial computing system
- fan less cooling (optionally an active cooler can be installed)
- fan control and temperature monitoring, if optionally fan is fitted
- optional mounting kits for 2.5" IDE or S-ATA hard disks
- power supply range: 14 ~ 32V<sub>DC</sub> with connector for external power button
- power button on front panel
- real time clock with battery backup
- standard version comes without PCI slots

### Connectors / Ports

- two independent 10/100 MBit/s Ethernet ports, RJ45 connectors
- 2 x USB (v2.0), host connection
- 1 x RS232 serial port,
- 2 x opto-isolated CAN/CANopen port (SJA1000 CAN controller) with status LEDs
- VGA connector for resolutions up to 1280 x 1024
- 1 x PS/2 connector for keyboard/mouse
- Reset button
- Type I/II Compact Flash socket (using True IDE mode), front accessible
- one internal CompactFlash socket optionally available
- two status LEDs for CompactFlash and internal hard disk/CompactFlash
- one proprietary slot for special purpose I/O modules (e.g. Audio In/Out, digital I/Os,...)
- lockable power connector

# CANatomBOX™ - Series

Fanless, Flexible Windows-based CANbus Controller

## Physical

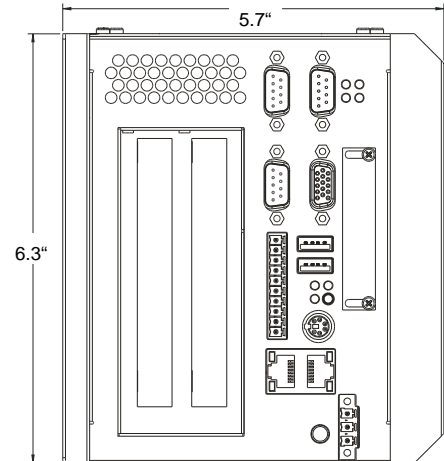
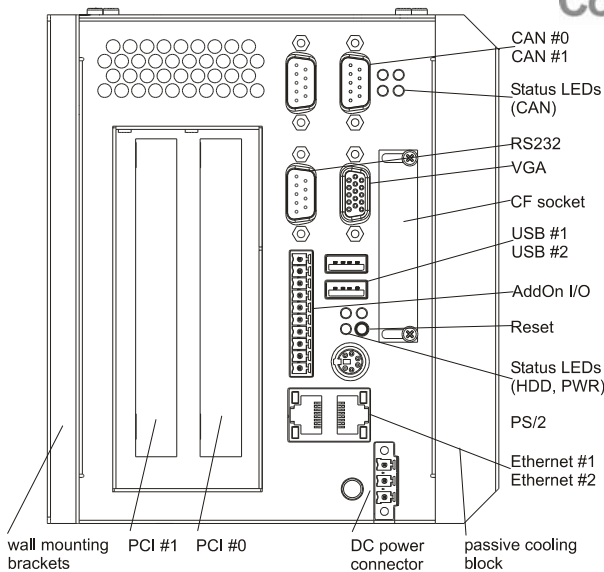
- ambient operating temperature 0°C ... 50°C
- non-operating temperature -20°C ... 75°C
- humidity 0% ~ 80%, non-condensing
- dimensions incl. wall mounting pads (w x h x d):  
0 PCI slot version, 3.7" x 6.3" x 9"  
2 PCI slot version, 5.7" x 6.3" x 9"
- weight approx. 4.9 kg (10,8 lb)

## Supported Operating Systems

Windows XP Embedded™, Windows XP Professional™

## Options on request

- CoDeSys Soft PLC Runtime Environment, pre-installed
- CoDeSys Soft PLC Target Visualization, pre-installed
- CoDeSys Soft PLC Web Visualization, pre-installed
- CoDeSys Soft PLC Soft Motion, pre-installed
- AddOn-Modules for  
AudioLine In/Out (with/without 2W amplifier)  
AudioLine In/Out and NVRAM  
Digital I/O (4xIn/4xOut or 8xIn)
- Two PCI slots
- Different Operating System support  
e.g. Windows Vista™, Windows CE™, Linux
- Custom specific front panel design
- Custom specific system modifications



front panel drawing of **CANatomBOX™** with two PCI slots

## Ordering information CANatomBOX

### CANatomBOXe™ **KD-SAE-87001**

Intel Atom N270 with 1.6 GHz and 512 MB DDR2 SO-DIMM  
2 x CAN/CANopen port, 1 x RS232 port  
2 GB Industrial Grade CompactFlash Medium  
Windows XP Embedded, pre-installed

### Optionally

### CANatomBOXp™ **KD-SAE-87002**

Intel Atom N270 with 1.6 GHz and 512 MB DDR2 SO-DIMM  
2 x CAN/CANopen port, 1 x RS232 port  
160 GB Industrial Grade hard disk, 2.5"  
Windows XP Professional, pre-installed

For further information and options call **1-888-7SAELIG**.

## Contact Information

**Saelig Company, Inc.**  
1160-D2 Pittsford-Victor Rd.  
Pittsford, NY 14534 USA

Phone +1 585-385-1750  
Fax +1 585-385-1768  
E-Mail [info@saelig.com](mailto:info@saelig.com)  
Web [www.saelig.com](http://www.saelig.com)  
[www.janz.com](http://www.janz.com)