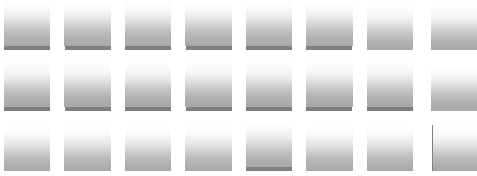
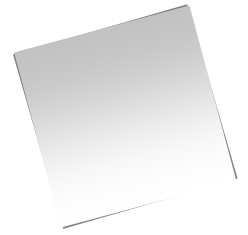


Always with our Customer

Electric Double Layer Capacitor

LS Ultracapacitor

Next-generation Energy Storage of Low Resistance and Great Reliability



Data Sheet



About LS Cable Ltd.

LS Cable is the flagship company of LS group which was divided from LG group in 2003 to concentrate our specialized industry. LS group is focusing on industrial system, electric power, energy and electronic components.

LS Cable is No. 1 cable maker in Korea and creating new business particularly in component and materials industry like Ultracapacitor. LS Cable makes its best to accomplish the vision, 'Your No.1 Creative Partner' and be one of the world leaders with high technology and best level of service.

About LS Ultracapacitor

LS Ultracapacitor is one of promising energy storage device like fuel cell and advanced rechargeable batteries. LS Ultracapacitor can complement advanced rechargeable batteries and conventional capacitor in terms of power and energy density. Furthermore, wide operating temperature (-40 °C ~ 60 °C) and high reliability of LS Ultracapacitor enable to use in various applications.

Notes

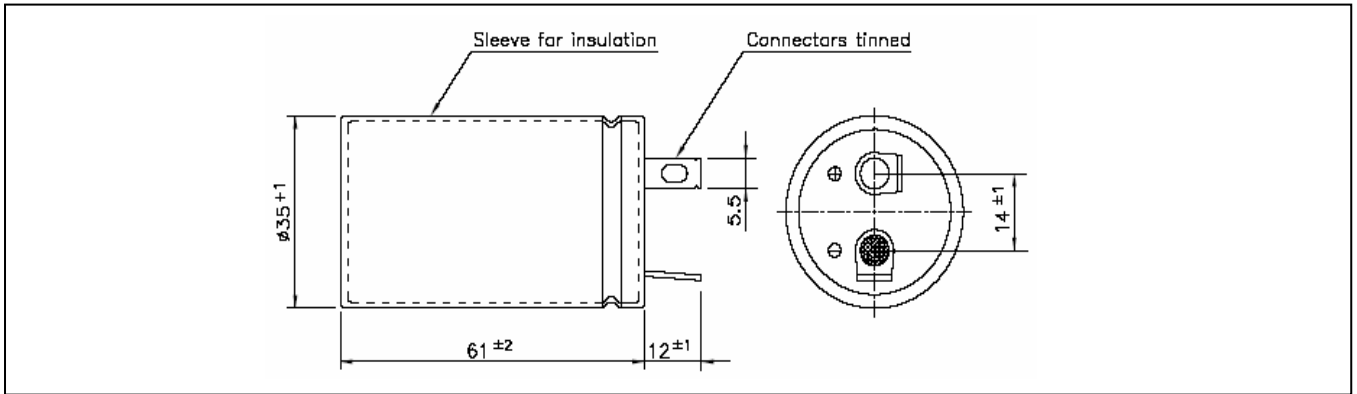
- Do not reverse polarity.
- Do not overcharge.
- Do not open.
- Do not put into fire.
- Do not deform terminals.
- Use capacitors according to operating temperature.

Electric Double Layer Capacitor
LS Ultracapacitor

High Voltage Series – 350F / 2.8V



Dimension



Specifications

Item		LS Ultracapacitor		Standard
Rated Capacitance		F	350	Constant current discharge
Capacitance Tolerance		%	-10 / +10	
Rated Voltage, V_R		V	2.8	
Leakage Current		mA	< 3	12hrs, 25 °C
Internal Resistance (ESR)	AC	m Ω	3	1kHz
	DC	m Ω	3.5	
Specific Energy Density	Gravimetric	Wh/kg	5.86	
	Volumetric	Wh/L	6.50	
Operating Temperature		°C	-40 ~ 60	
Storage Temperature		°C	-40 ~ 70	
Cycle Life (25°C, V_R)		cycles	500,000	$\Delta C < 30\%$ decrease, ESR < 200% increase
Life Time (25°C, V_R)		year	10	$\Delta C < 30\%$ decrease, ESR < 200% increase
Dimension		mm	$\varnothing 35 \times L 61$	
Weight		g	65	
Volume		ml	59	

LS Cable Ltd.

555, Hogye-dong, Dongan-gu, Anyang-si, Gyeonggi-do, 431-831, Korea

Website: www.lscable.com